

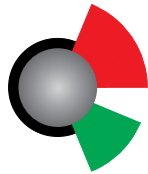
# Apollo-155

## Long Range Lantern Adjustable from 4-12nm+

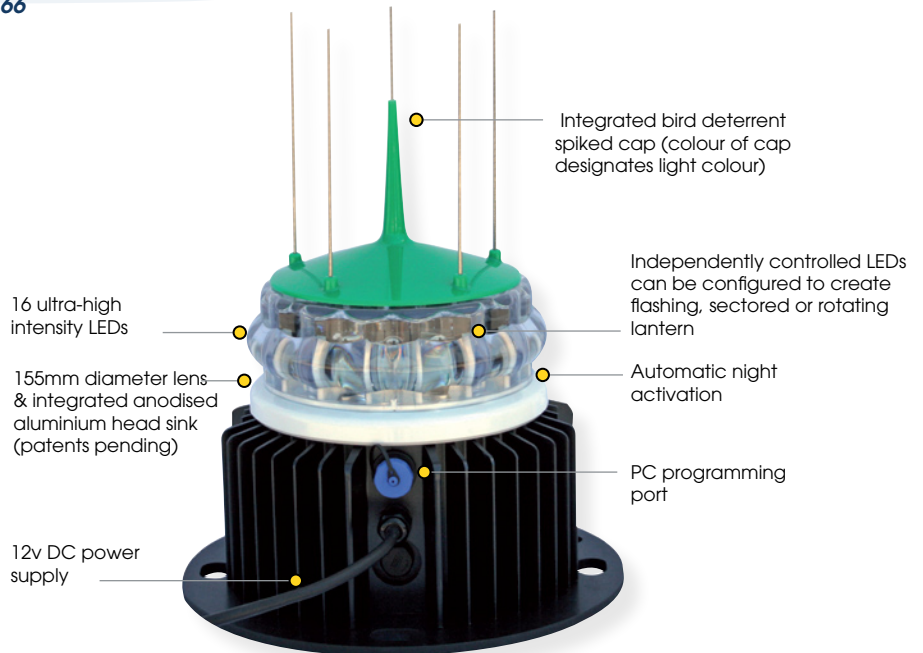
This equipment complies with requirements of the U.S. Coast Guard in 33 CFR part 66



Revolutionising the industry



Sealite's Apollo-155 is the only single tier lantern able to be sectored accurately in multi-colours



APOLLO-155.G

**The Apollo-155 is the next generation in marine aids to navigation.**

Sealite's latest innovation, the Apollo-155 long range lantern adjustable from 4-12nm+ is designed to suit a range of applications including channel, river and estuary marking.

To utilise latest technology, Sealite has designed a lantern using 16 of the world's most advanced LEDs. These highly efficient LEDs can be configured individually with multiple flash codes in the same array.

The Apollo-155 incorporates a sophisticated thermal management system. Sealite in-house engineers custom designed this complex aluminium extrusion which is used as a heat sink for the 16 ultra-high intensity LEDs and LED driver board.

Extensive use of copper and aluminium within the circuitry permits the effective transfer of heat to the external extrusion allowing driving currents of up to 48watts with corresponding exceptional light output.

The distinct lens of the Apollo-155, also developed in-house by Sealite engineers, has 32 optical elements controlling the light emissions from the LED in a two-dimensional manner; completely unique to the industry. The 16x LEDs in each lens individually cover 45° horizontally and either 5° (as standard), or 2.5° or 10° vertically.

The lens and LED holder can be factory set to sector different LEDs to 1° increments. For example, 183° RED, 42° WHITE and 15° RED all in the one tier. This provides complete flexibility to suit most installation requirements.

Like all Sealite marine lanterns the Apollo-155 has a specifically designed circuit board that controls automatic dusk till dawn operation, LED operation and many functions that can be specifically requested, such as current monitoring.

### PC Interface

Sealite's PC interface allows a host of features to be loaded onto the lantern, including automatic effective intensity calculations, adjustable on/off LUX levels and custom flash codes.

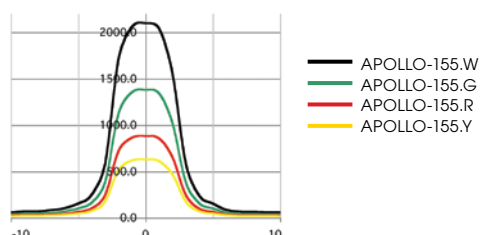
Users can choose between Schmidt-Clausen, Allard, Blondel-Rey-Douglas, and Allard-Ohno-Couzin (100 pulse) effective intensity settings.

### The Sealite Advantage

- The most efficient light in the industry - 5 degree vertical divergence, 22watt, 2100cd (white)
- Range adjustable in excess of 12nm
- 155mm lens
- Independent control of individual LEDs
- The only single tier lantern able to be sectored accurately using multi-colours (patents pending)
- The only LED lantern able to operate as a rotating beacon
- Complete continuous diagnostic checking of each LED
- PC interface for setup, diagnostics & testing
- On-board data communications, GPS, GSM, RF & AIS-ready
- Advanced thermal management
- IP68 waterproof



### Apollo-155 Vertical Divergence



Candela (cd)

APOLLO-155

R	880
G	1380
W	2100
Y	630

• Available intensity at 28watts (cd)



Head Office:  
Sealite Pty Ltd  
AUSTRALIA

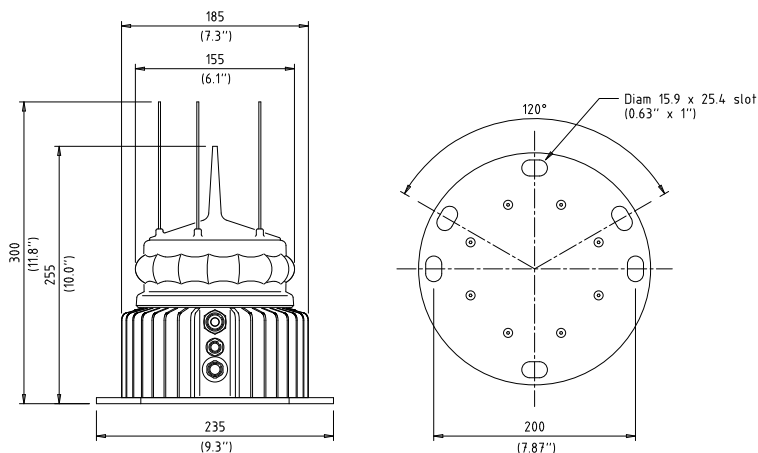
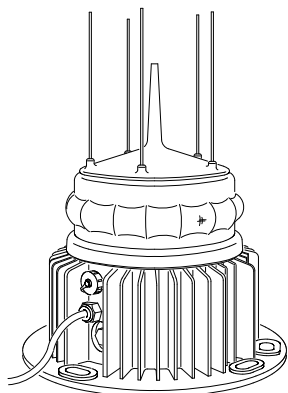
Ph. +61 (0)3 5977 6128  
Fax. +61 (0)3 5977 6124  
Internet: [www.sealite.com](http://www.sealite.com)  
Email: [info@sealite.com](mailto:info@sealite.com)

Sealite USA  
USA (Gilford, NH)  
Ph. (603) 524-6066

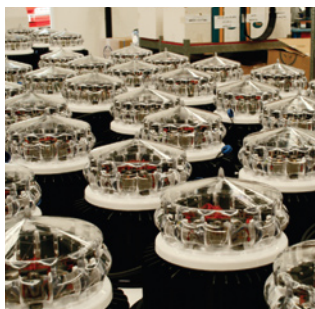
Fax. (603) 524-8100  
Internet: [www.sealiteusa.com](http://www.sealiteusa.com)  
Email: [info@sealiteusa.com](mailto:info@sealiteusa.com)

# Apollo-155

## Long Range Lantern Adjustable from 4-12nm+



### SPECIFICATIONS •



#### Light Characteristics

Light Source  
Available Colours  
Available Intensity at 28watts (cd) <sup>Δ</sup> <sup>Δ</sup>  
Visible Range (nm)  
Horizontal Output (degrees)  
Vertical Divergence (degrees)  
Available Flash Characteristics  
Intensity Adjustments  
LED Life Expectancy (hours)

16 ultra bright 3watt Cree LEDs  
Red, Green, White, Yellow, Blue  
Red - 880 Green - 1380 White - 2100 Yellow - 630  
4-12+  
1° - 360°  
5 (as standard)  
Up to 256 IALA recommended (PC programmed)  
32 levels (PC programmed)  
>100,000

#### Electrical Characteristics

Current Draw (mA)  
Circuit Protection  
Nominal Voltage (v)  
Temperature Range

Refer to Sealite Power Calculator  
Polarity protected  
12v DC only  
-40 to 80°C

#### Physical Characteristics

Body Material  
Lens Material  
Lens Diameter (mm/inches)  
Lens Design  
Mounting  
Height (mm/inches)  
Width (mm/inches)  
Mass (kg/lbs)  
Product Life Expectancy

Anodised 6060 Series Aluminium  
LEXAN® Polycarbonate - UV-stabilised  
155 / 6 1/8  
Sealite 16 segment, multi-focus LED lens (patents pending)  
3 & 4 hole bolt pattern on 200mm OD base  
300 / 11 4/5  
235 / 9 1/3  
3.8 / 8 3/8  
Up to 12 years

#### Certifications

CE  
Quality Assurance  
Waterproof

M091133  
ISO9001:2000  
IP68

#### Intellectual Property

Patents  
Trademarks

Australian Provisional Patent 1004289015  
SEALITE® is a registered trademark of Sealite Pty Ltd

#### Warranty\*

Full 3 years

#### Options Available

- Rotating beacon
- Sectorised light
- Wreck marking light
- 2.5 or 10 degree lens



• Specifications subject to change or variation without notice

\* Subject to standard terms and conditions

<sup>Δ</sup> Higher outputs at increased current draw

<sup>Δ</sup> Intensity setting subject to solar availability

To experience the new Apollo-155,  
please contact a Sealite representative today



**Head Office:**  
Sealite Pty Ltd  
AUSTRALIA

Ph. +61 (0)3 5977 6128  
Fax. +61 (0)3 5977 6124  
Internet: [www.sealite.com](http://www.sealite.com)  
Email: [info@sealite.com](mailto:info@sealite.com)

Sealite USA  
USA (Gilford, NH)  
Ph. (603) 524-6066

Fax. (603) 524-8100  
Internet: [www.sealiteusa.com](http://www.sealiteusa.com)  
Email: [info@sealiteusa.com](mailto:info@sealiteusa.com)